



*Bulk Paper Feeder
PF-8E*

*Bulk Paper Stacker
HS-8E*

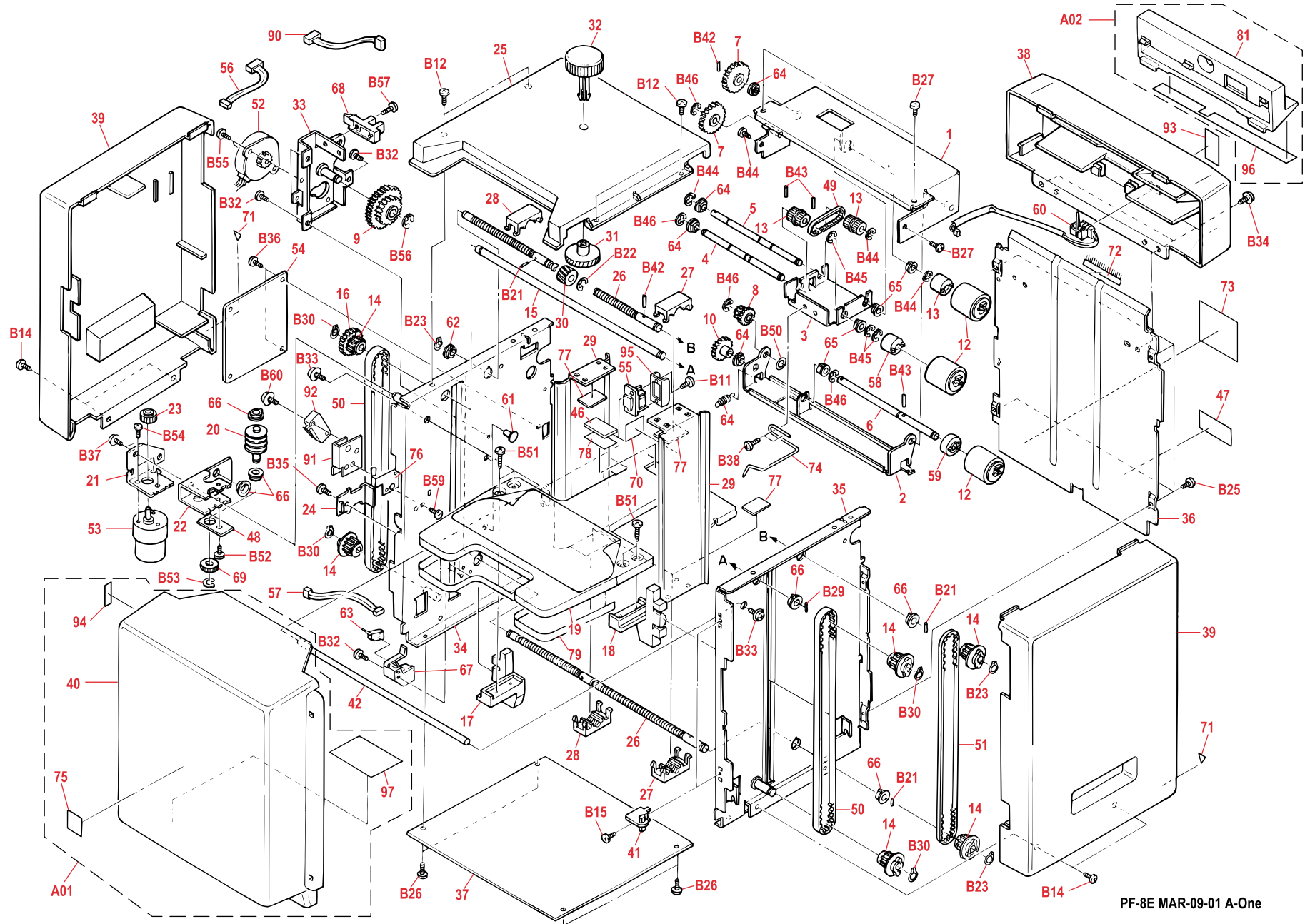
PARTS LIST

PF8EHS8E70770
842PF8EHS8E120

Ordering Information

1. ISP refers to Initially- supplied part; SP refers to Service part.
2. The Ref. No's correspond to those numbers in the exploded diagram.
3. Availability of ISP (Initially- Supplied Parts) varies depending on the destination of the product. For details, refer to the ISP List supplied separately by Kyocera.
4. Those parts bearing numbers in the diagram but not listed in the parts list are not suppliable as a general supply part.

1 - Bulk Paper Feeder



PF-8E MAR-09-01 A-One

1 - Bulk Paper Feeder

List 1 - Bulk Paper Feeder

Ref.No.	Part Code	Description	ISP	SP	Used
01-A01	5AAYPF8E++06	COVER TRAY ASSY	X	X	1
01-A02	5AAYPF8E++07	COVER FEED 2 ASSY	X	X	1
01-001	5AAMPF7A**05	FRAME FEED UP ASSY			1
01-002	5MMB884SL004	FRAME FEED LOW			1
01-003	5MMB663SL004	BKT PICK			1
01-004	5MMT766SN003	SHAFT FEED PICK			1
01-005	5MMT766SN001	SHAFT FEED UP			1
01-006	5MMT766SN002	SHAFT FEED LOW			1
01-007	5MVG148DN012	GEAR Z36	X	X	2
01-008	5MVG028DN002	GEAR Z15-Z19	X	X	1
01-009	5MVG069DN001	GEAR Z33-Z51	X	X	1
01-010	5MVG133DN002	GEAR Z26	X	X	1
01-011	5MMW354LD002	SPRING FEED			1
01-012	5AAMPF7A**03	ROLLER ASSY	X	X	3
01-013	5MVG337DN002	PULLY P20-P21	X	X	2
01-014	5MVG318DN001	PULLEY XL14	X	X	6
01-015	5MMT866SN015	SHAFT ELEVATOR			1
01-016	5MVG138DN018	GEAR WHEEL H30	X	X	1
01-017	5MVX665DN001	GUIDE ELEVATOR R			1
01-018	5MVX665DN002	GUIDE ELEVATOR L			1
01-019	5MMB882SW002	TABLE PAPER			1
01-020	5MVG117DN001	GEAR WORM	X	X	1
01-021	5MML654SL002	BKT DC MOTOR			1
01-022	5MMU654SL001	BKT WORM			1
01-023	5MVG127DN031	GEAR MOTOR	X	X	1
01-024	5MVL332SB002	ACTUATER ELEVATOR			1
01-025	5MVB882SW002	COVER TOP	X	X	1
01-026	5MMT866SN017	SCREW GUIDE			2
01-027	5MVX422DN002	NUT GUIDE R	X	X	2
01-028	5MVX422DN003	NUT GUIDE L	X	X	2
01-029	5MMU864SL001	GUIDE PAPER			2
01-030	5MVG127DN030	GEAR H15-R	X	X	1
01-031	5MVG134DN001	GEAR H30-R	X	X	1
01-032	5MVN653SW001	KNOB SIZE	X	X	1
01-033	5AAMPF7A**06	BKT MOTOR ASSY	X	X	1
01-034	5AAMPF8E++01	FRAME R ASSY 8E			1
01-035	5AAMPF7A**07	FRAME L ASSY			1
01-036	5MMU882SN002	STAY FRONT 8E			1

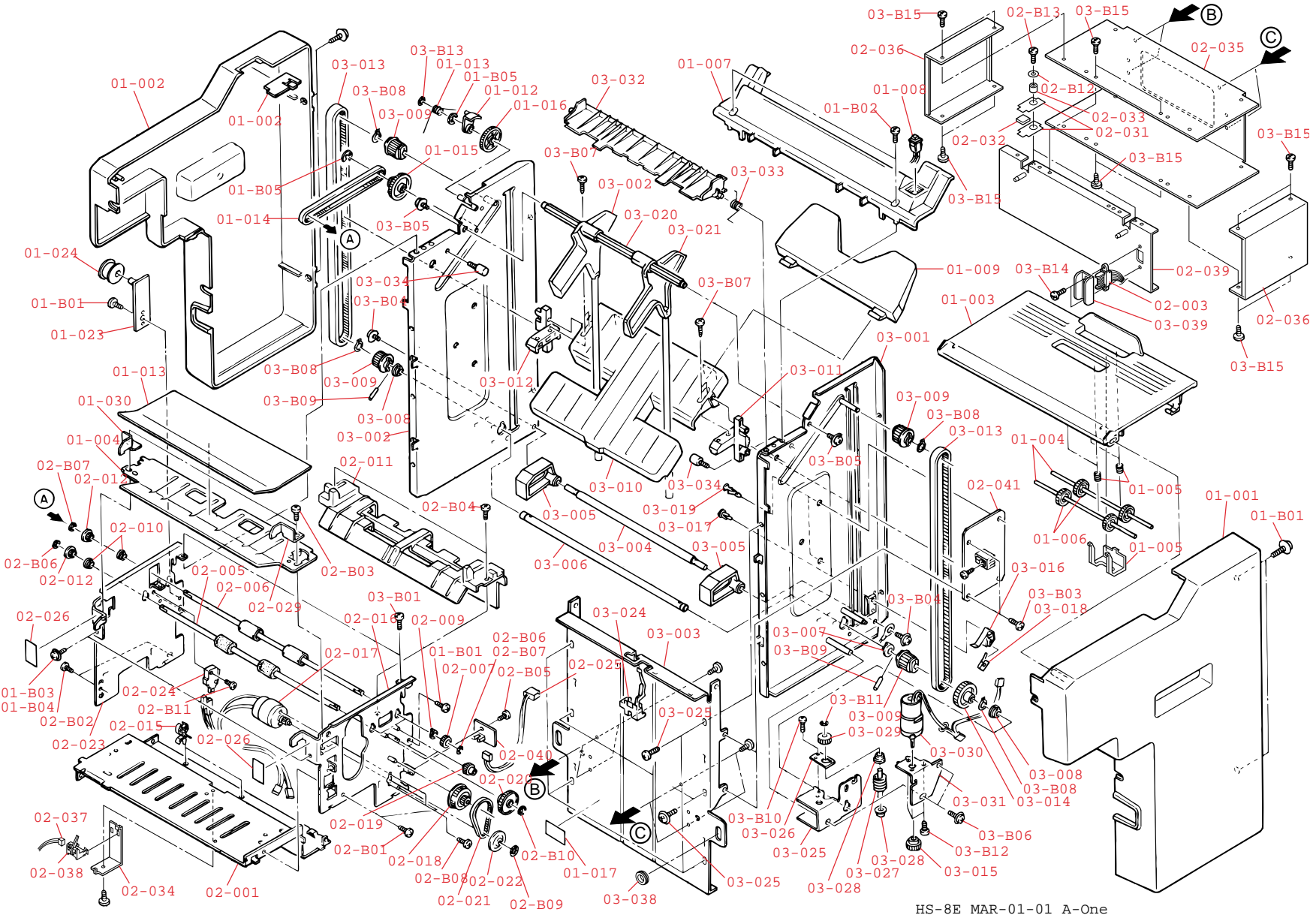
List 1 - Bulk Paper Feeder (Continued)

Ref.No.	Part Code	Description	ISP	SP	Used
01-037	5MMS887SL002	PLATE BOTTOM			1
01-038	5MVB876SW007	COVER FEED	X	X	1
01-039	5MVB886SW013	COVER SIDE PF8E	X	X	2
01-041	5MVX332DN002	PIVOT TRAY			2
01-042	5MMT866SN016	SHAFT STAY F			1
01-046	5MVS336RF004	PAD CASSETTE	X	X	1
01-048	5MMS336SL008	PLATE WORM			1
01-049	5MVX190DB001	BELT MXL60-32	X	X	1
01-050	5MVX190DB002	BELT XL250-96	X	X	2
01-051	5MVX190DB004	BELT XL230-64			1
01-052	5EZNT2400301+01	STEPPING MOTOR	X	X	1
01-053	5AAYPF8E++05	DC MOTOR ASSY	X	X	1
01-054	5AAPRCZR2013AH	P.W.B. ASSY KP-772	CONT	X	X
01-055	5AACCNRM4GEA	CONN. CORD ASSY	X	X	1
01-056	5AACCNRM7GEA	CONN. CORD ASSY			1
01-057	5AACCNRM8GEA	CONN. CORD ASSY			1
01-058	5AAZPF7A**02	CLUTCHE ONE-WAY	X	X	2
01-059	5AAZPF7A**03	TORQUE LIMITTER	X	X	1
01-060	5AAXPS024GEA	PT. SENSOR ASSY	X	X	1
01-061	5MVX211NN019	LOCKING CARD SPACER			2
01-062	5MMM176CJ003	METAL BUSH KD	X	X	3
01-063	5ESM010235***01	MICRO SWITCH	X	X	1
01-064	5MMM121CX001	BUSH DRUM	X	X	4
01-065	5MVM176DN009	BUSH	X	X	4
01-066	5MVM122DB003	BUSH POM	X	X	2
01-066	5MVM122DB003	BUSH POM	X	X	4
01-067	5MVX532DN001	BKT SENSOR BOTTLE			1
01-068	5ENXGP1A05***01	PT.SENSOR GP1A05	X	X	1
01-069	5MVG137DB024	GEAR CLUTCH Z22	X	X	1
01-070	5MVVL431WN13	PAPER LIMIT LABEL			1
01-071	5MVVL111WN02	LEVER LABEL			2
01-072	5MVS624XF001	DISCHARGER FEED			1
01-073	5MVVL665WN01	LABEL HAND CAUTION			1
01-074	5MMW802LD002	ACTUATOR TRAY	X	X	1
01-076	5MMP122LD002	PLATE TRAY			1
01-077	5MVS436SF001	ADAPTER NUT			4
01-078	5MVS516SN002	SPACER PAD			1
01-079	5MVU411RB001	COVER TABLE			1
01-080	5MVVL865WN01	LABEL ADIUST			1
01-090	5AACCNRM9GEA	CONN. CORD ASSY			1

List 1 - Bulk Paper Feeder (Continued)

Ref.No.	Part Code	Description	ISP	SP	Used
01-091	5MMU633SL002	BKT SW			1
01-092	5ESM010234***01	MICRO SWITCH 01X02	X	X	1
01-093	5MVS223KB005	SHEET PROTECTION			1
01-095	5MMU522SL005	PROTECTION CONN			1
P-001	5AAKPF8E++01	PACKING ASSY	X	X	1
P-002	5MVS626SB007	PAD COVER	X	X	1

2 - Bulk Stacker HS-8e



HS-8E MAR-01-01 A-One

2 - Bulk Stacker HS-8e

List 2 - Bulk Stacker HS-8e

Ref.No.	Part Code	Description	ISP	SP	Used
01-001	5MVB885SW010	COVER RIGHT HS8E	X	X	1
01-002	5MVB885SW011	COVER LEFT HS8E	X	X	1
01-003	5MVX874SW002	LID TOP	X	X	1
01-004	5MMT733SN001	SHAFT EXIT			2
01-005	5MMW251LD005	SPRING PULLEY			4
01-006	5MVM174DB002	PULLEY EXIT	X	X	4
01-007	5MVX863SW005	COVER TOP	X	X	1
01-008	5AAYHS8E++08	PUSH SWITCH ASSY	X	X	1
01-009	5MVB872SW030	TRAY BACK	X	X	1
01-011	5MVS432SW001	COVER JOINT			1
01-012	5MVX332SB016	COVER GEAR			1
01-013	5MMW162LJ012	SPRING COVER			1
01-014	5MVM150RB009	BELT MXL109-32	X	X	1
01-015	5MVG048DB007	GEAR FUX Z32-P19	X	X	1
01-016	5MVG138DB020	GEAR FD Z30	X	X	1
01-023	5MMS522SL001	PLATE IDLE			1
01-024	5MVM177DB004	BELT IDLE PULLEY			1
01-025	5MVX333DN001	GUIDE PAPER EXIT			1
01-026	5MVB873SH024	TRAY BACK LGR	X	X	1
02-001	5MMZ866SL003	FRAME LOW 8E			1
02-003	5AACNRN1GEA	CONN. CORD ASSY	X	X	1
02-004	5MMS866SL017	GUIDE PAPER F			1
02-005	5MMT875SN005	ROLLER TRANS A	X	X	1
02-006	5MMT875SN006	ROLLER EXIT	X	X	1
02-007	5MVG127DB029	GEAR Z14	X	X	2
02-009	5MMM176CJ005	BUSHING SBK	X	X	2
02-010	5MVM176DB006	BUSHING POM	X	X	2
02-011	5MVL866SW002	GUIDE PAPER R			1
02-012	5MVG326DB001	PULLEY MXL14	X	X	2
02-013	5MVS862KN002	SHEET TRANSFER			1
02-014	5AACNRN6GEA	CONN. CORD ASSY			1
02-015	5MVX431NN001	SPACING CLIP			2
02-016	5MMX777SL003	FRAME RIGHT 8E			1
02-017	5AAYHS8E++04	TRNS MOTOR ASSY	X	X	1
02-018	5MVG368DB001	GEAR Z28-P56	X	X	1
02-019	5MVG127DB030	GEAR FEED Z14	X	X	2
02-020	5MVG148DB018	GEAR Z14-Z36	X	X	1

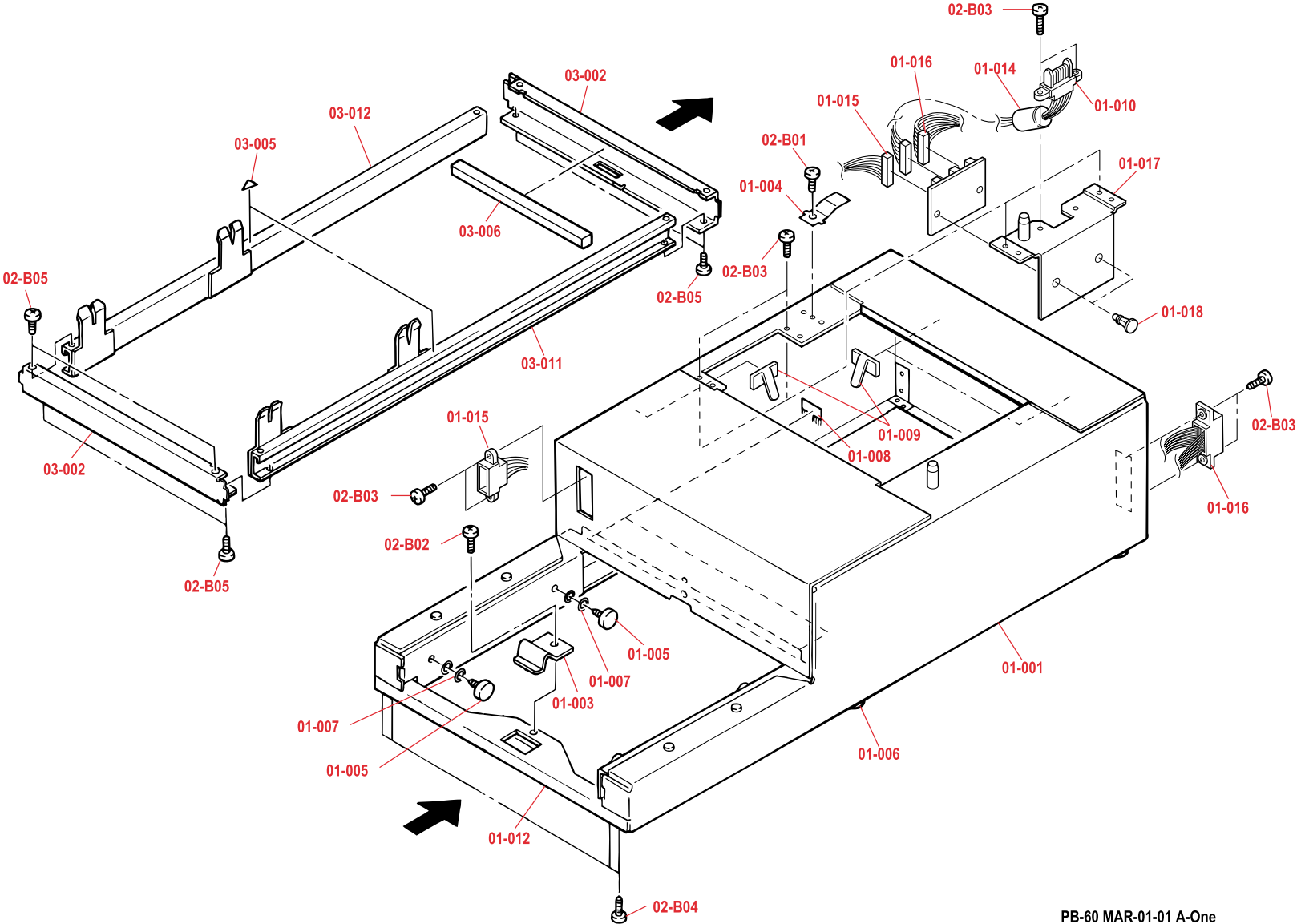
List 2 - Bulk Stacker HS-8e (Continued)

Ref.No.	Part Code	Description	ISP	SP	Used	
02-021	5MVM150RB007	BELT MOTOR Z70	X	X	1	
02-022	5MVM196DB003	PLATE ENCODER			1	
02-023	5MMX777SL004	FRAME LEFT 8E			1	
02-024	5ESM010234***01	MICRO SWITCH 01X02	X	X	1	
02-025	5AACCNRN3GEA	CONN. CORD ASSY			1	
02-026	5MVS421KN002	SHEET A			2	
02-029	5MMX532SL015	ADAPTER RIGHT			1	
02-030	5MMX532SL016	ADAPTER LEFT			1	
02-031	5MMS227SL003	PLATE MAGNET			4	
02-032	5MMK224FJ001	MAGNET			2	
02-033	5MVM110DN001	ROLLER BELT			2	
02-034	5MML643SL005	BKT SENSOR EXFT			1	
02-035	5MMU877SL005	BASE CONNCT			1	
02-036	5MMU877SM003	COVER CONNCT			2	
02-037	5AACCNRN0GEA	CONN. CORD ASSY			1	
02-038	5ENXGP1A44E1+01	PT.SENSOR GP1A44E1	X	X	1	
02-039	5MMX632SL011	BKT CONN R			1	
02-040	5AAPRSSR2002AH	P.W.B.ASSY KP-775	ENCORDER	X	X	1
02-041	5AAPRCZR2014AH	P.W.B.ASSY KP-774	CONT	X	X	1
03-001	5MMX876SL020	FRAME ELEVATOR R			1	
03-002	5MMX876SL021	FRAME ELEVATOR L			1	
03-003	5MMS886SL010	FRAME STACK 8E			1	
03-004	5MMT865SN005	SHAFT FOOT			1	
03-005	5MVX643SW003	FOOT			2	
03-006	5MMT866SN018	SHAFT ELEVATOR			1	
03-007	5MMM176CJ003	METAL BUSH KD	X	X	1	
03-008	5MVM122DB003	BUSH POM	X	X	2	
03-009	5MVG318DN001	PULLEY XL14	X	X	4	
03-010	5MVB882SW004	TRAY ELEVATOR			1	
03-011	5MVX665DN001	GUIDE ELEVATOR R			1	
03-012	5MVX665DN002	GUIDE ELEVATOR L			1	
03-013	5MVM190RB016	BELT	X	X	2	
03-014	5MVG138DN018	GEAR WHEEL H30	X	X	1	
03-015	5MVG127DN031	GEAR MOTOR	X	X	1	
03-016	5MVX532DN001	BKT SENSOR BOTTLE			1	
03-018	5ESM010235***01	MICRO SWITCH	X	X	1	
03-019	5MVX211NN019	LOCKING CARD SPACER			2	
03-020	5MMT865SN004	SHAFT STAY			1	
03-021	5AAYHS3***14	PAPER SIZE R ASSY			1	

List 2 - Bulk Stacker HS-8e (Continued)

Ref.No.	Part Code	Description	ISP	SP	Used
03-022	5AAYHS3***15	PAPER SIZE L ASSY			1
03-024	5ENXOS840133+02	PT. SENSOR	X	X	1
03-025	5MMU654SL001	BKT WORM			1
03-026	5MMS336SL008	PLATE WORM			1
03-027	5MVG117DN001	GEAR WORM	X	X	1
03-028	5MVM122DB003	BUSH POM	X	X	2
03-029	5MVG137DB024	GEAR CLUTCH Z22	X	X	1
03-030	5AAYHS8E++05	ELEV MOTOR ASSY	X	X	1
03-031	5MML654SL002	BKT DC MOTOR			1
03-032	5MVX832CB007	GUIDE CHANGE			1
03-033	5MMW162LJ011	SPRING GUIDE			1
03-034	5MMT263SZ016	PIN STUD			2
03-038	5MVM177RB013	GROMMET G-42			1
03-039	5MMU522SL005	PROTECTION CONN			1
P-001	5AAKHS8E++01	PACKING ASSY	X	X	1

3 - Base PB-60



PB-60 MAR-01-01 A-One

Table 3 - Base

Ref.No.	Part Code	Description	ISP	SP	Used
01-001	5AAMPB60++02	BASE ASSY			1
01-003	5MMP153LD001	STOPPER PF			1
01-004	5MMX432LD001	SPRING SHAFT FD			1
01-005	5AAZPF7A**01	ROLLER DL			4
01-006	5MVS779RB002	FOOT PR			6
01-007	5MBWK65D0ASZ	FLAT S WASHER			1
01-008	5MVS224XF001	DISCHARGER PB			1
01-009	5MMX321SM001	CORD KEEP			3
01-010	5AACNRM6GEA	CONN. CORD ASSY	X	X	1
01-012	5MMU852SL016	STAY MAIN			1
01-013	5AAPRZC1060AH	P.W.B.ASSY KP-765		RELAY	1
01-014	5EYBE2063400101	FERRITE CORE			1
01-015	5AACNRN7GEA	CONN. CORD ASSY	X	X	1
01-016	5AACNRN8GEA	CONN. CORD ASSY	X	X	1
01-017	5MML664SL003	BKT PWB			1
01-018	5MVX211NN019	LOCKING CARD SPACER			2
03-002	5MMU833SL001	STAY RAIL			2
03-005	5MVVL111WN02	LEVER LABEL			2
03-006	5MVQ843RB001	PAD RAIL			1
03-011	5AAMPB60++03	RAIL R ASSY			1
03-012	5AAMPB60++04	RAIL L ASSY			1
P-001	5AAKPB60++01	PACKING ASSY	X	X	1

KYOCERA MITA AMERICA, INC.

Headquarters:

225 Sand Road, P.O. Box 40008
Fairfield, New Jersey 07004-0008
TEL : (973) 808-8444
FAX : (973) 882-6000

New York Show Room:

149 West 51st street,
New York, NY 10019
TEL : (212) 554-2679
FAX : (212) 554-2625

Northeastern Region:

225 Sand Road, P.O. Box 40008
Fairfield, New Jersey 07004-0008
TEL : (973) 808-8444
FAX : (973) 882-4401

Midwestern Region:

201 Hansen Court Suite 119
Wood Dale, Illinois 60179
TEL : (630) 238-9982
FAX : (630) 238-9487

Western Region:

14101 Alton Parkway,
Irvine, California 92618-7006
TEL : (949) 457-9000
FAX : (949) 457-9119

Southeastern Region:

1500 Oakbrook Drive,
Norcross, Georgia 30093
TEL : (770) 729-9786
FAX : (770) 729-9873

Southwestern Region:

2825 West Story Road,
Irving, Texas 75038-5299
TEL : (972) 550-8987
FAX : (972) 570-4704

Dallas Parts Distribution Center & National Training Center:

2825 West Story Road,
Irving, Texas 75038-5299
TEL : (972) 659-0055
FAX : (972) 570-5816

KYOCERA MITA CANADA, LTD.

6120 Kestrel Road, Mississauga,
Ontario L5T 1S8, Canada
TEL : (905) 670-4425
FAX : (905) 670-8116

KYOCERA MITA MEXICO, S.A. DE C.V.

Av. 16 de Septiembre #407
Col. Santa Inés,
02130 Azcapotzalco
México, D.F. Mexico
TEL : (5) 383-2741
FAX : (5) 383-7804

©2001 KYOCERA MITA CORPORATION



is a trademark of Kyocera Corporation



is a registered trademark of KYOCERA MITA CORPORATION

KYOCERA MITA EUROPE B.V.

Hoeksteen 40, 2132 MS Hoofddorp,
The Netherlands

Phone: (020) 6540000

Home page: <http://www.kyoceramita-europe.com>
Email: info@kyoceramita-europe.com

KYOCERA MITA NEDERLAND B.V.

Hoeksteen 40, 2132 MS Hoofddorp,
The Netherlands

Phone: (020) 5877200

KYOCERA MITA (UK) LIMITED

8 Beacontree Plaza

Gillette Way,

Reading RG2 0BS UK

Phone: (0118) 931 1500

KYOCERA MITA ITALIA S.P.A.

Via Verdi 89/91 20063 Cernusco sul Naviglio
(Milano) Italy

Phone: 02-92179 1

S.A. KYOCERA MITA BELGIUM N.V.

Hermesstraat 8A, 1930 Zaventem, Belgium
Phone: (02) 7209270

KYOCERA MITA FRANCE S.A.

Parc les Algorithmes

SAINT AUBIN

91194 GIF-SUR-YVETTE

France

Phone: (01) 69852600

KYOCERA MITA ESPAÑA S.A.

Edificio Mita, Avda. De Manacor Nº2,

Urb. Parque Rozas, Apartado de Correos 76,

28230 Las Rozas, Madrid, Spain

Phone: (91) 631-8392

KYOCERA MITA FINLAND OY

Kirvesmiehenkatu 4, 00810 Helsinki,
Finland

Phone: (09) 478-05200

KYOCERA MITA (SCHWEIZ) AG

Höziwiisen, Industriestrasse 28,

8604 Volketswil, Switzerland

Phone: (01) 908 4949

KYOCERA MITA DEUTSCHLAND GMBH

Mollsfeld 12 40670 Meerbusch,

Germany

Phone: 02159-918120

KYOCERA MITA GMBH AUSTRIA

Eduard-Kittenberger-Gasse 95,

1230, Wien, Austria

Phone: (01) 86338-0

KYOCERA MITA SVENSKA AB

Siktgatan 2,

162 50 Vällingby, Sweden

Phone: (08) 4719999

KYOCERA MITA DANMARK A/S

Industrivej 11, DK-4632 Bjæverskov,
Denmark

Phone: 56871100

KYOCERA MITA PORTUGAL LDA.

CASCAIS TOCK-Armazem nº8,

Rua das Fugas, Alcoitão,

2765 Estoril, Portugal

Phone: (21) 4602221

KYOCERA MITA SOUTH AFRICA

(PTY) LTD.

UNIT 3, "Kyalami Crescent",

Kyalami Business Park,

1685 Midrand, South Africa

Phone: (11) 466-3290

KYOCERA MITA**AMERICA, INC.**

Headquarters:

225 Sand Road, P.O. Box 40008,

Fairfield, New Jersey 07004-0008,

U.S.A.

Phone: (973) 808-8444

KYOCERA MITA AUSTRALIA PTY.

LTD.

Level 3, 6-10 Talavera Road, North Ryde,

N.S.W. 2113 Australia

Phone: (02) 9888-9999

KYOCERA MITA NEW ZEALAND LTD.

1-3 Parkhead Place,

Albany, Auckland,

New Zealand

Phone: (09) 415-4517

KYOCERA MITA (THAILAND) CORP.,

LTD.

9/209 Ratchada-Prachachem Road,

Bang Sue, Bangkok 10800, Thailand

Phone: (02) 586-0320

KYOCERA MITA SINGAPORE

PTE LTD.

121 Genting Lane, 3rd Level,

Singapore 349572

Phone: (65) 7418733

KYOCERA MITA HONG KONG

LIMITED

11/F., Mita Centre,

552-566, Castle Peak Road,

Tsuen Wan, New Territories,

Hong Kong

Phone: (852) 24297422

KYOCERA MITA**CORPORATION**

2-28, 1-chome, Tamatsukuri, Chuo-ku

Osaka 540-8585, Japan

Phone: (06) 6764-3555